



USSA-FS2019-14 A Sunday River, ME - Mogul Maine-ia

Sunday River, ME

Jan 27, 2019 (Sun) (U0630) (U0631)



Head Judge: LOUNSBURY,Scott
 Chief of Comp: TOWLE,Gregory
 T.D.: SOLOMON,Aaron
 Chief of Scoring: JOHNSON,Reece

Course: 3D-North Peak
 Length: 246 m
 Width: 15 m

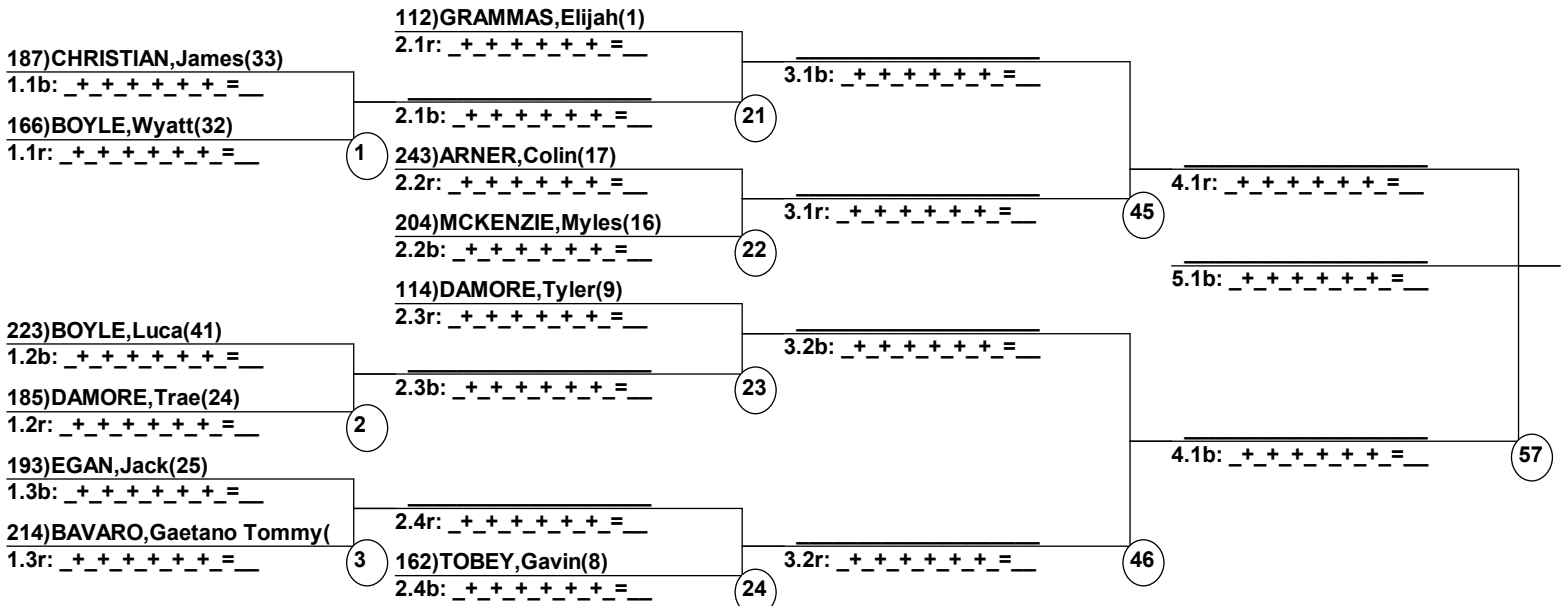
 Head Judge

 Chief of Scoring

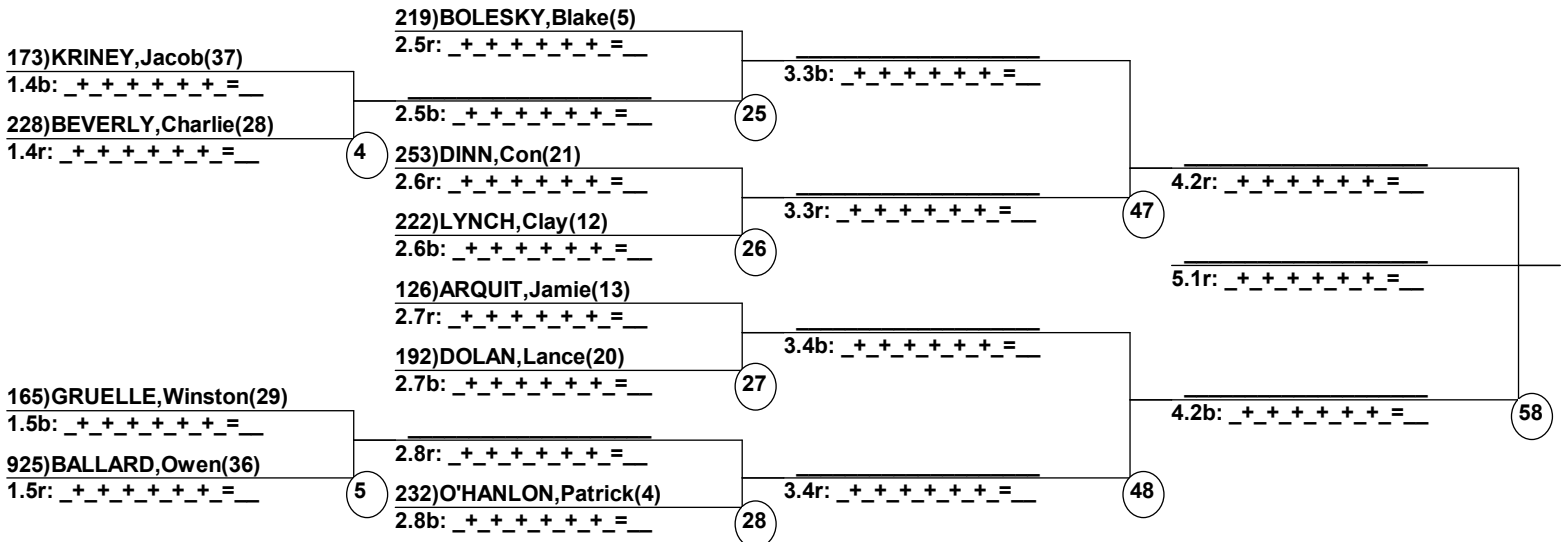
 T.D.

 Duals Run 1 Entrants Date: Jan 26, 2019 (Sat)
 Female/Male (By Duals Run-order) Time: 7:33 pm
 Sunday River, ME USSA-FS2019-14 A Sun

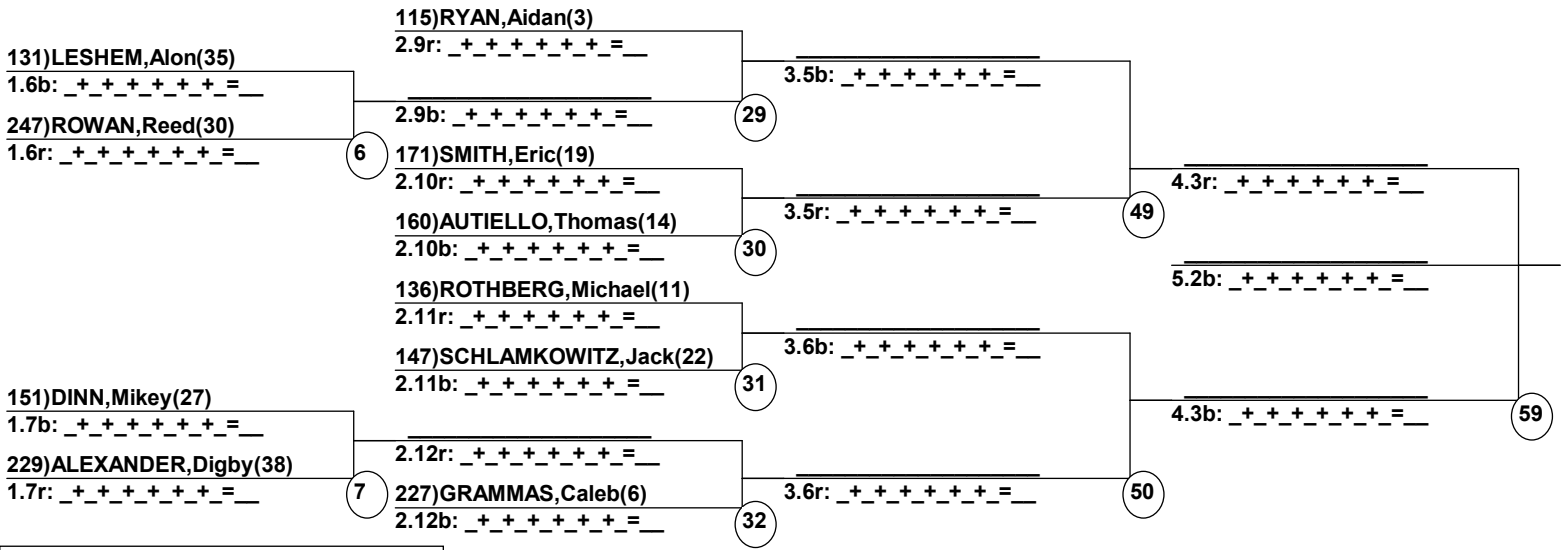
Male Road to Semi-Finals (5.1B)



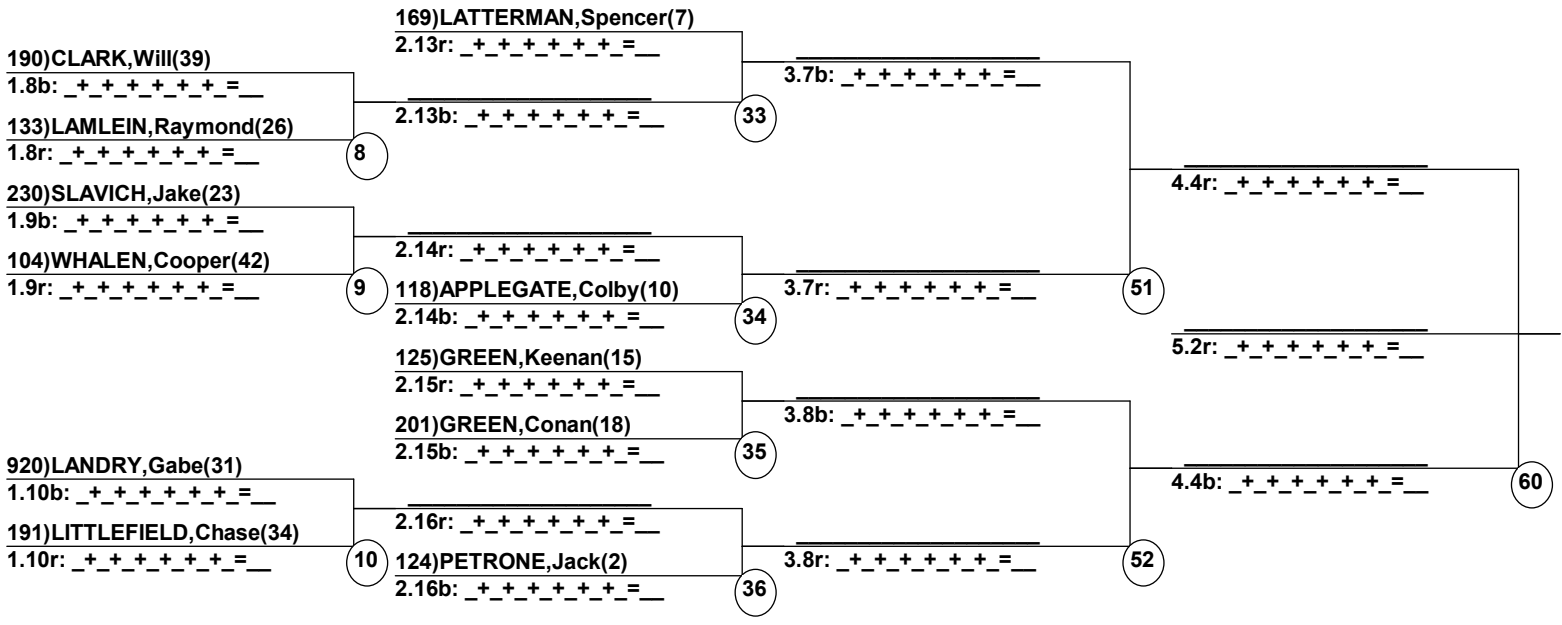
Male Road to Semi-Finals (5.1R)



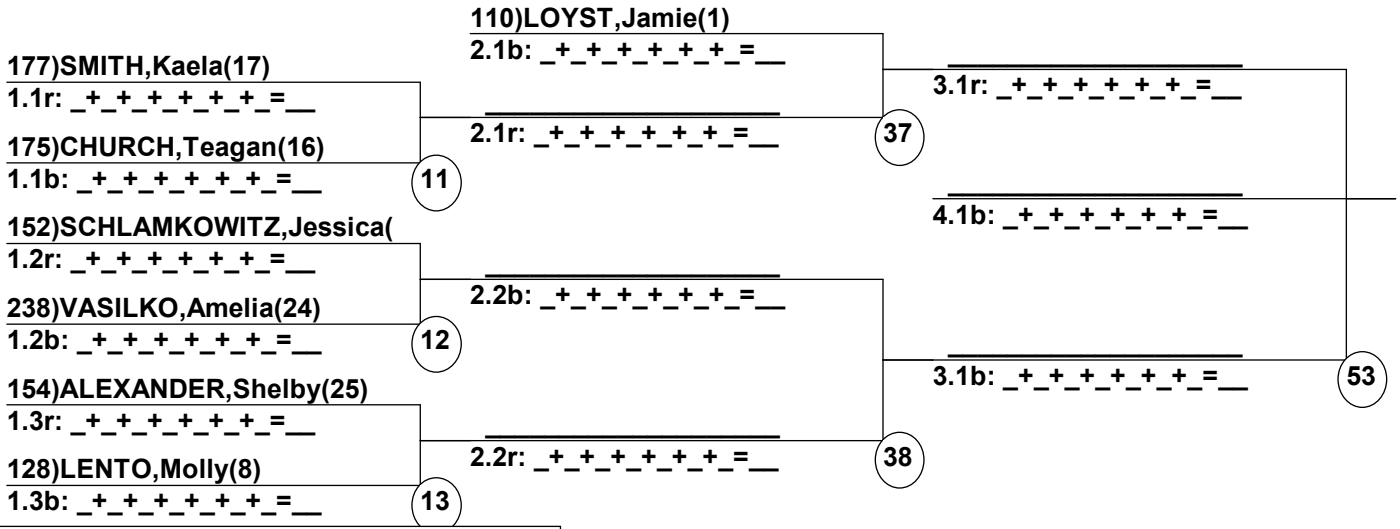
Male Road to Semi-Finals (5.2B)



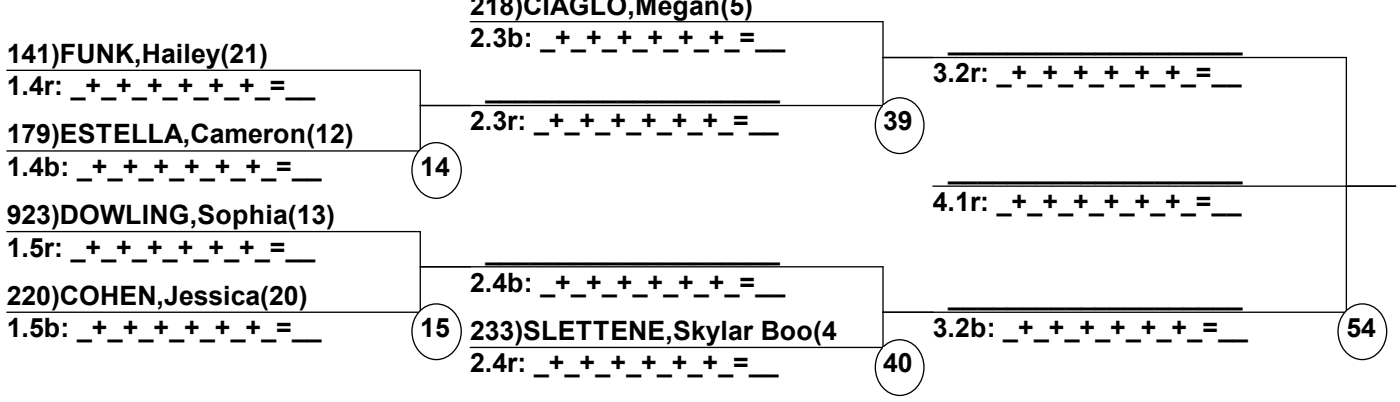
Male Road to Semi-Finals (5.2R)



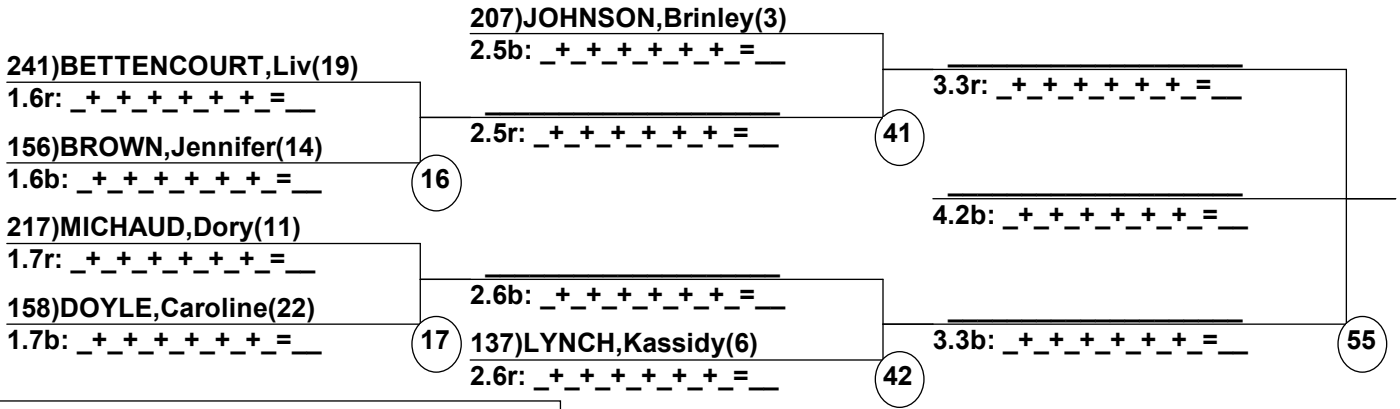
Female Road to Semi-Finals (4.1B)



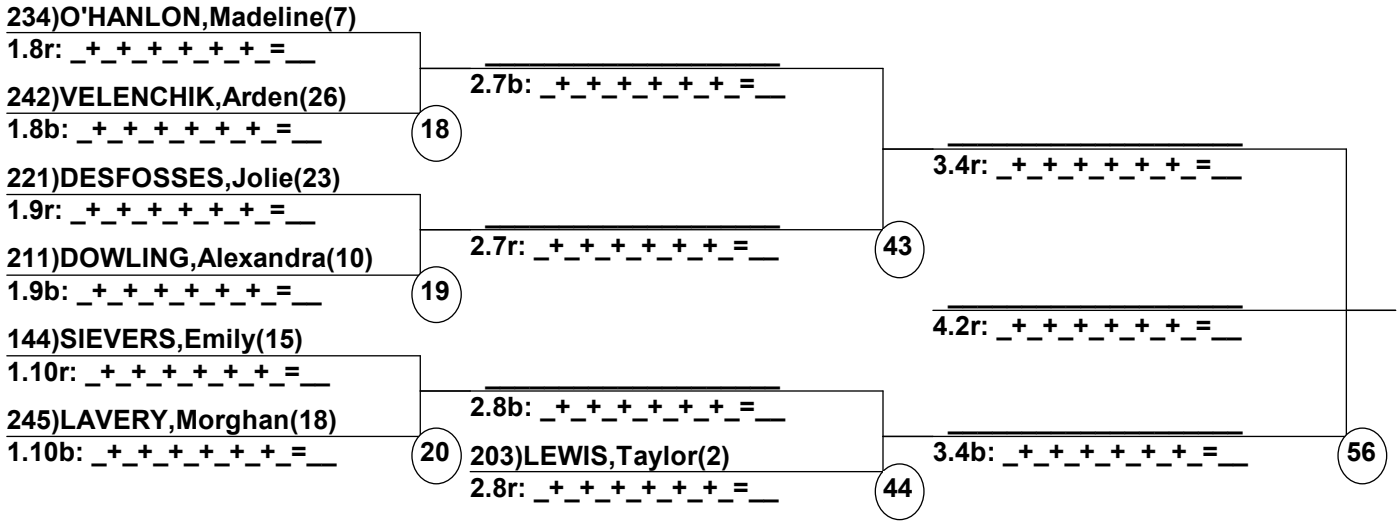
Female Road to Semi-Finals (4.1R)



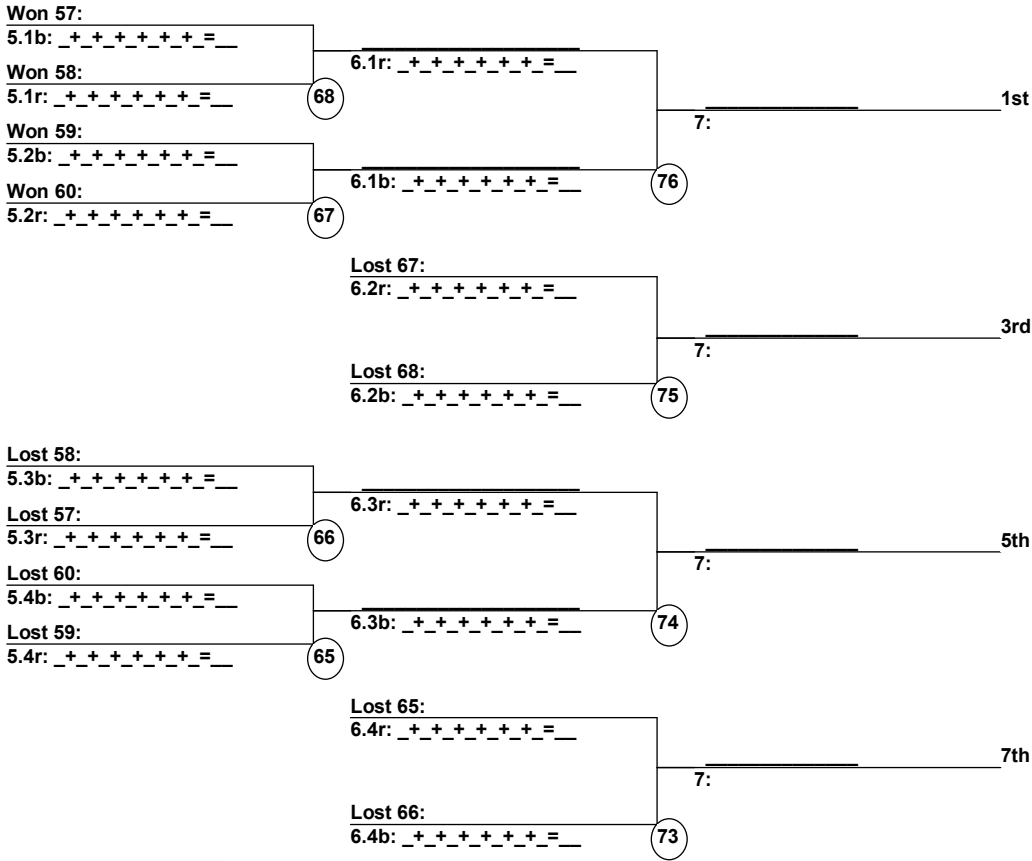
Female Road to Semi-Finals (4.2B)



Female Road to Semi-Finals (4.2R)



MaleSemi-Finals



FemaleSemi-Finals

